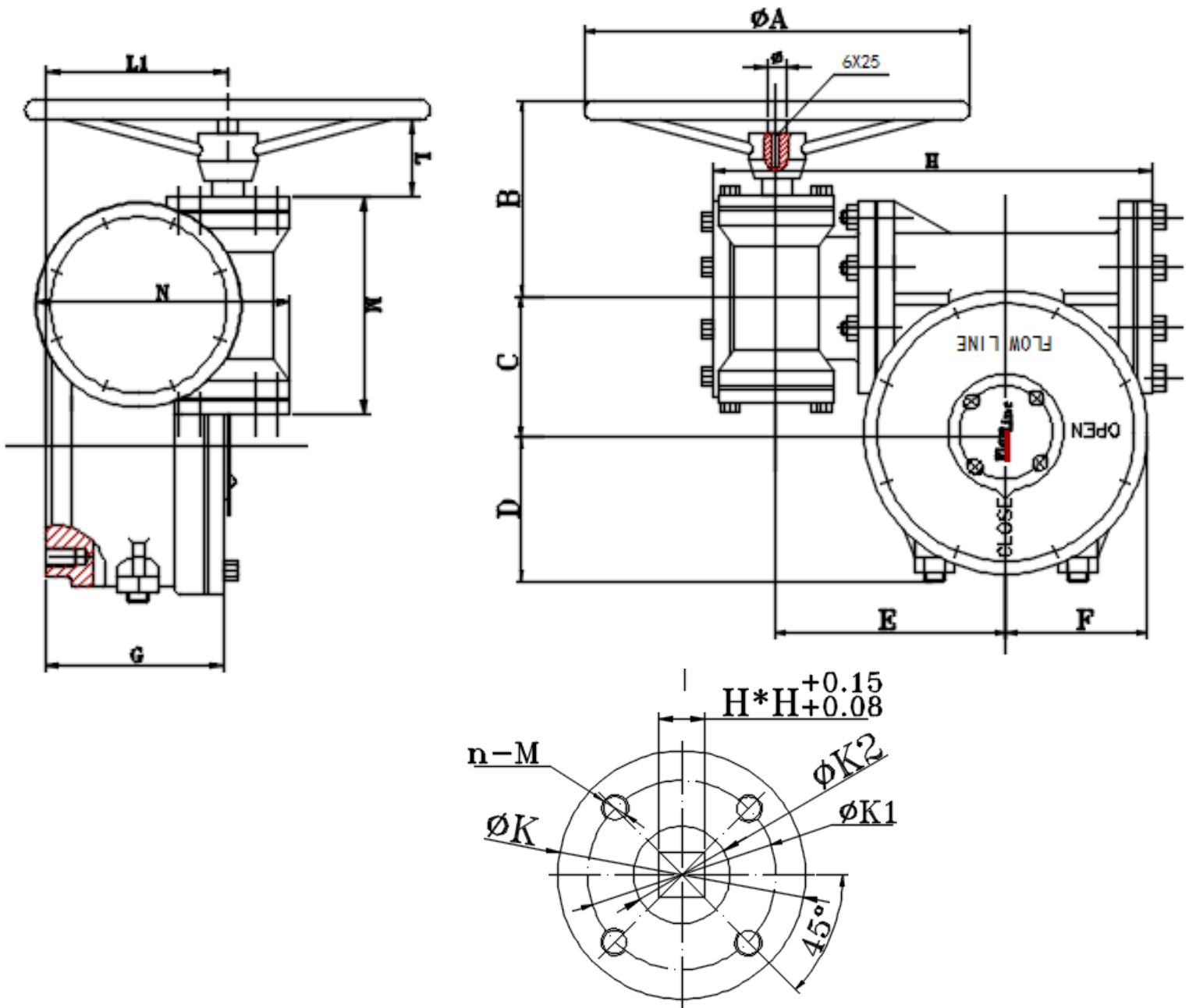


## Dimensions

Series 15 Gear Operator  
Size: 15-00218, 15-00220,  
and 15-00224



ISO5211

DIMENSIONS ARE INCHES UNLESS NOTED

SIZE	PART #	RATIO	A	B	C	D	E	F	G	H*H	K	L	L1	M	N	ISO5211	K	K1	K2	Ø	Mounting	Torque Output
16"-18"	15-00218	532:1	11.41	5.90	3.70	5.12	6.69	4.12	4.17	27*27	12.40	2.48	4.25	5.47	6.41	F16	8.26	5.51	2.75	0.78	4-M16	22127
20"	15-00220	532:1	11.41	5.90	3.70	5.12	6.69	4.12	4.17	36*36	12.40	2.48	4.25	5.47	6.41	F16	8.26	5.51	2.75	0.78	4-M16	22127
24"	15-00224	640:1	14.9	6.69	4.92	5.78	7.79	5.25	4.92	36*36	14.6	2.56	4.68	6.77	7.32	F16	8.26	5.51	3.62	0.78	4-M16	35403

Drawn By: DAP  
Revision: A  
Date: 3-1-2016



Flow Line Valve and Controls, LLC

P. O. Box 677; 110 Main Project Road, Schriever, LA 70395  
Phone: (985) 414-6004 Fax: (985) 414-414-6072  
www.flowlinevalves.com