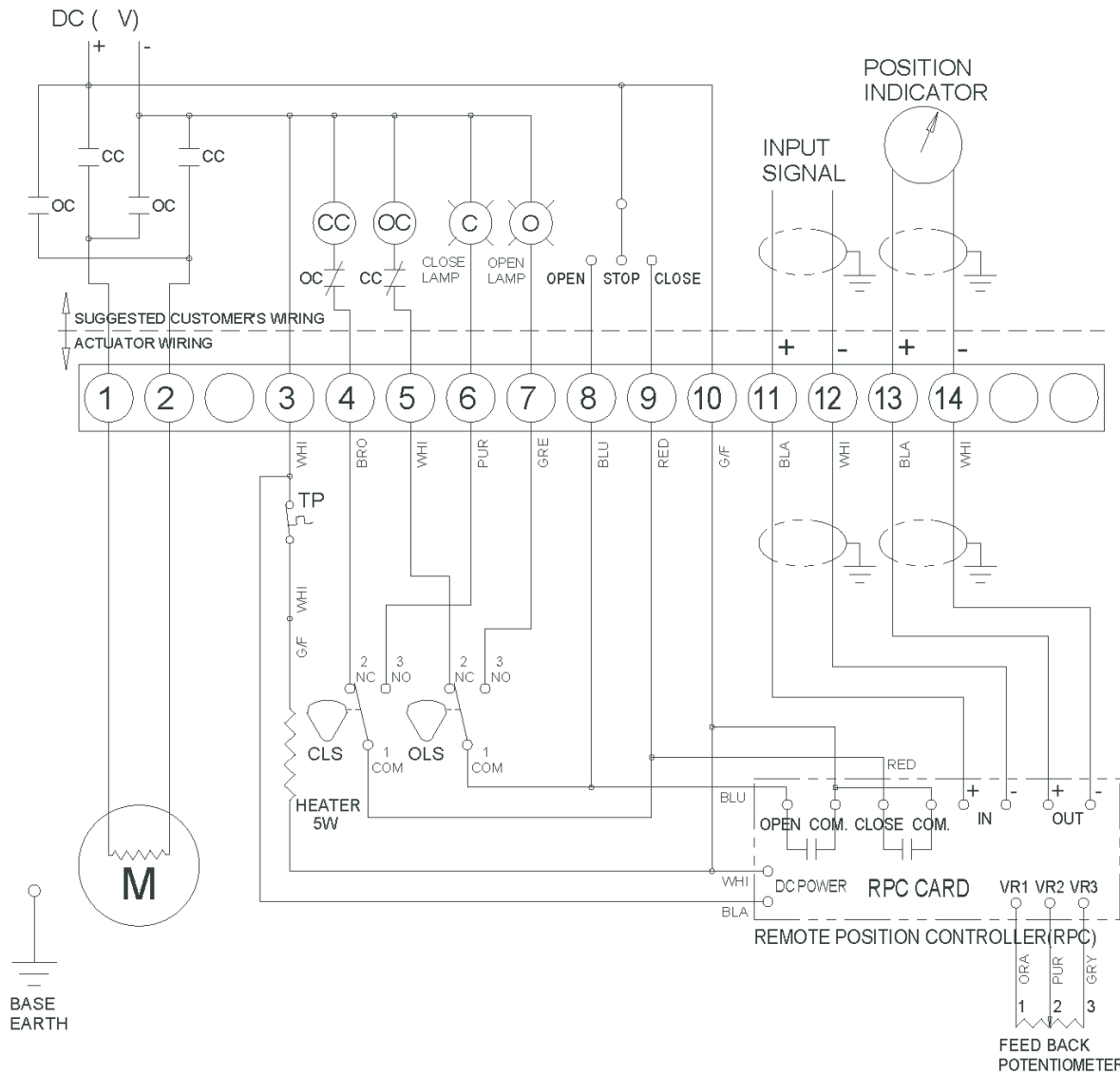


CLS : CLOSE LIMIT SWITCH (250VAC 10A)  
 OLS : OPEN LIMIT SWITCH (250VAC 10A)  
 CC : CLOSE MAGNETIC COIL  
 OC : OPEN MAGNETIC COIL  
 TP : THERMAL PROTECTOR (250VAC 15A OPTION)

\*EACH ACTUATOR SHOULD BE POWERED THROUGH ITS OWN INDIVIDUAL SWITCH OR RELAY CONTACTS TO PREVENT CROSS FEED BETWEEN TWO OR MORE ACTUATORS.

TORQUE AND LIMIT SWITCHES OPERATION

SWITCH	CLOSE ←	INTERMEDIATE	→ OPEN
CLS 1-2			
CLS 1-3			
OLS 1-2			
OLS 1-3			



**WIRING DIAGRAM**  
**VDC & RPC**  
**Series 30, Sizes 0080**