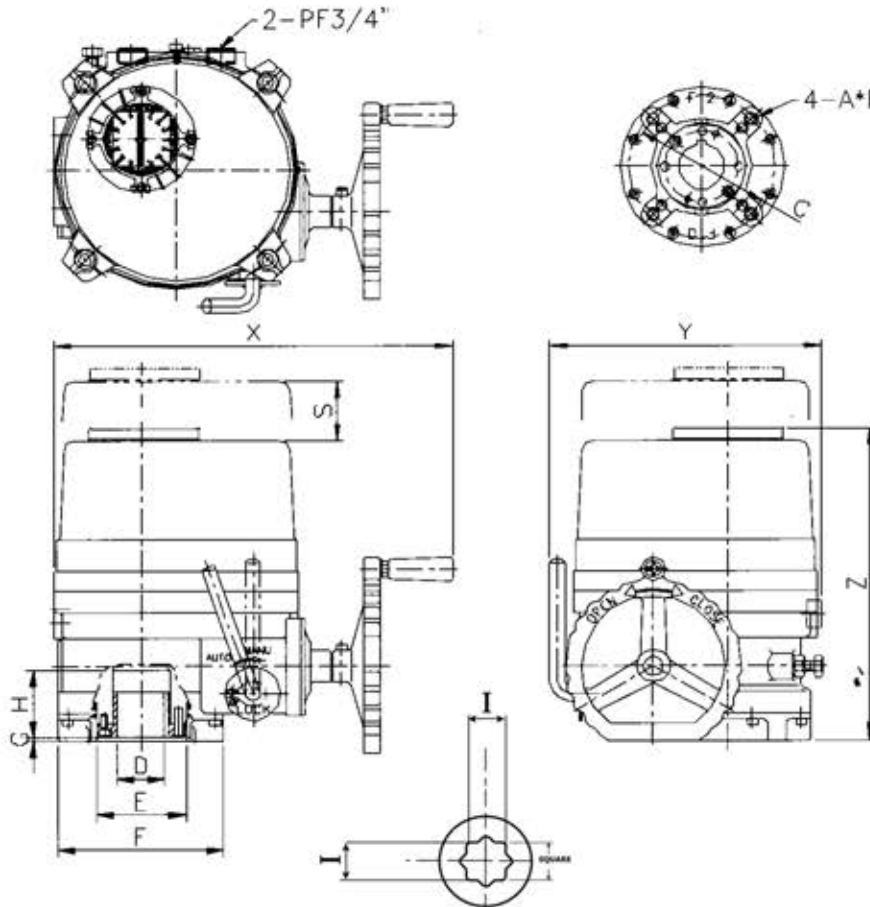


Model 0080 to 0400

Actuator Size	A	B	C	D (Key)	D (Sq.)	E	F	G	H	S	X	Y	Z	ISO Mounting	I
0080	M8	14	70	2.76	.67	1.97	3.45	.12	1.46	3.94	10.16	6.77	8.66	F7	*See Data Sheet - Doc. No. FLC006 Series 30 ISO Drive Bushing Options
0100	M/8M10	14/17	70	2.76	.67	2.30	4.92	.12	2.24	4.53	13.31	9.02	10.20	F7/F10	
0200	M/8M10	14/17	70	2.76	.87	2.30	4.92	.12	2.24	4.53	13.31	9.02	10.20	F7/F10	
0300	M10/M12	17/21	102	4.02	1.06	3.15	5.83	.12	2.44	5.71	14.06	9.61	11.34	F10/F12	
0400	M10/M12	17/21	102	4.02	1.06	3.15	5.83	.12	2.44	5.71	14.06	9.61	11.34	F10/F12	



VALVE SIZE	DIMENSIONAL DATE SHEET ELECTRIC ACTUATOR SERIES 30 SIZES 0080 - 0400	PART NO.	
VOLTAGE RATING		DRAWING NO.	REV
CUSTOMER/PROJECT		30-0021	B
INQ./PO NO.		DATE	
ORDER NO.		02/19/13	
CERTIFIED BY	DATE		