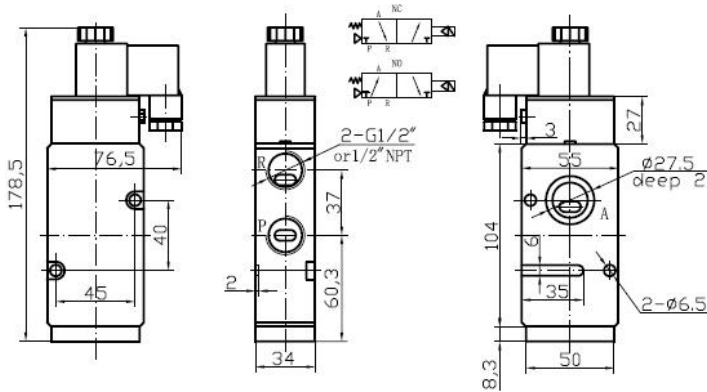


Flow Line CONTROLS



Series 50 1/2" Solenoid Valve Namur Mount

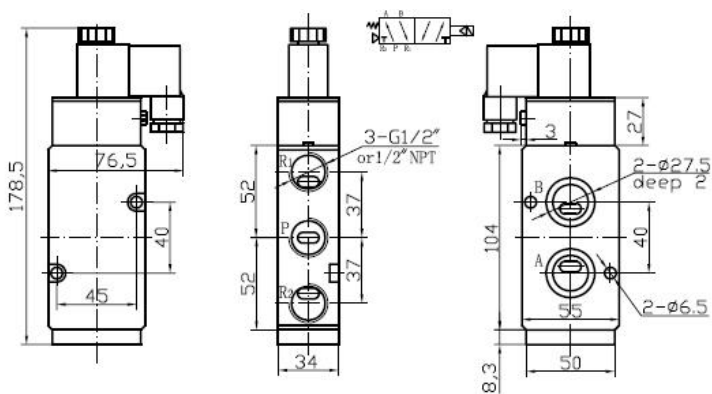


3-Way Valve 1-Coil

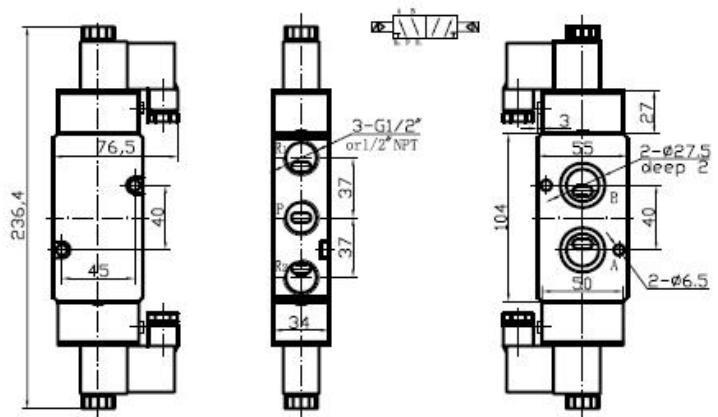
Specifications

Port Connections: 1/2" NPT
Power Consumption: AC: 4.0VA, DC: 2.8W
Duty Cycle: Continuous (100%)
Shortest Excitation Time: 0.05 sec
Coil Voltages: 12 & 24 VDC, 120 & 220 VAC 50/60Hz
Protection Class: NEMA 4, 4X, NEMA 7 & 9
Coil Insulation: Class F standard, Class H optional
Operating Speed: 5 cycles per second
Ambient Temperature Range: 40F ~ 122F, -40F optional
Coil Connections: Cable Gland, 1/2" Conduit / Potted leads, Din connector with potted leads
Valve Design: Pilot operated hi-flow spool, Cv 2.79
Media: Lubricated or non-lubricated air
Operating Pressure Range: 22psi to 120 psi
Materials: Body: Hard Anodized Aluminum, Polyester Coated. Spool & Piston: Aluminum, Spring: Stainless Steel, Seals: Buna N, Screws: Stainless Steel

Dimensions in MM Reference: 10MM = 0.393"



5-Way Valve 1-Coil



5-Way Valve 2-Coils

Flow Line Controls, Inc.

P.O. Box 677 · Schriever, LA 70395 · Phone: 985-414-6003 · Toll Free 1-800-815-9226 · Fax 985-414-6072

www.flowlinecontrols.com

Doc. No. FLC5003 Copyright 2008 Flow Line