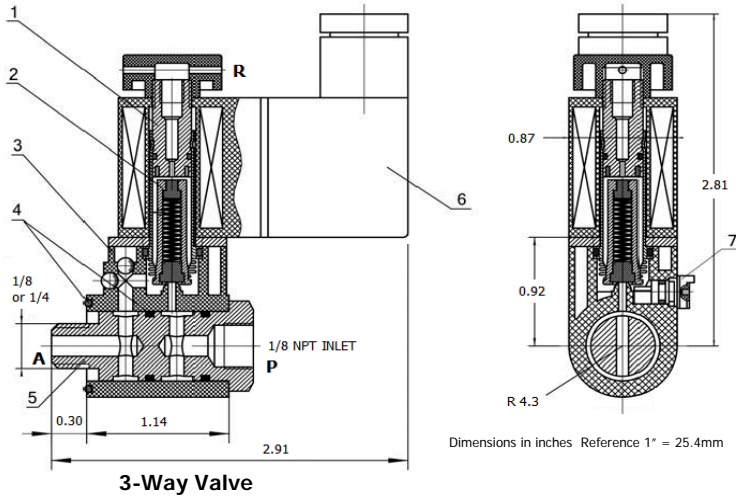




Series 51 3-Way Solenoid Valve Pipe in Mount



Specifications

- Valve Design:** 3-way 2-pos Direct acting Normally closed
- Mounting:** NPT (A) threaded into actuator inlet port
- Supply (P):** 1/8" or 1/4" female NPT
- Outlet (A):** 1/8" or 1/4" male NPT
- Exhaust (R):** Drilled port
- Flow Rate Cv:** 0.15
- Operating Pressure Range:** 22 psi to 120 psi
- Media:** Lubricated or non-lubricated air
- Manual Override:** Standard
- Coil Voltages:** 110VAC, 220VAC, 24VDC
- Protection Class:** NEMA 4, 4X
- Ambient Temperature Range:** 40F ~ 122F
- Coil Connections:** Cable Gland

Components

Key	Description
1	Solenoid core
2	Solenoid armature
3	Body, glass filled nylon
4	Three o-rings, NBR
5	Outlet (A) 1/8" or 1/4" stainless steel NPT
6	Solenoid coil
7	Manual override, nylon

Recommended Accessories

The Series 51 Miniature Solenoid Valve installs in one of the two threaded actuator air inlets leaving the other inlet exposed to the environment. Flow Line Controls recommends



Installing a breather or muffler to protect against debris entering the exposed actuator port or a combination

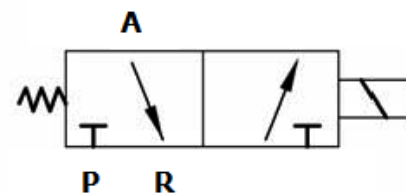
speed control/muffler for the additional benefit of controlling actuator speed. Refer to Flow Line Controls document #FLC1806 for complete product specifications.



How to Order

Part Number	Voltage	Supply Port-P	Outlet Port-A
51-3001-45P59A	110 VAC	1/8" Female NPT	1/8" Male NPT
51-3001-46P59A		1/4" Female NPT	1/4" Male NPT
51-3001-47P59A		1/4" Female NPT	1/8" Male NPT
51-3001-48P59A	220 VAC	1/8" Female NPT	1/4" Male NPT
51-3001-45P69A		1/8" Female NPT	1/8" Male NPT
51-3001-46P69A		1/4" Female NPT	1/4" Male NPT
51-3001-47P69A	24 VDC	1/4" Female NPT	1/8" Male NPT
51-3001-48P69A		1/8" Female NPT	1/4" Male NPT
51-3001-45P29A		1/8" Female NPT	1/8" Male NPT
51-3001-46P29A	24 VDC	1/4" Female NPT	1/4" Male NPT
51-3001-47P29A		1/4" Female NPT	1/8" Male NPT
51-3001-48P29A		1/8" Female NPT	1/4" Male NPT

Flow Diagram



Flow Line Controls, Inc.

P.O. Box 677 · Schriever, LA 70395 · Phone: 985-414-6003 · Toll Free 1-800-815-9226 · Fax 985-414-6072

www.flowlinecontrols.com