



Series 53 Limit Switch Compact & Economical

Introduction

Flow Line Controls has two series of Nema 4, 4X limit switches. The Series 53 limit switch is compact, economical and provides valve Open & Close indication with a highly visible 3-D indicator and electrical feedback switches. The Series 52 described in the "Series 52 Limit Switch" technical bulletin services heavy duty applications. The Series 53 limit switch features Namur mount, two ½" conduit entries, adjustable 3-D visual indicators and independently adjustable open and close switches.



Features

Aluminum Housing: The rugged cast aluminum housing is polyester coated inside and outside for use in hostile environments. The cover and visual indicator screws are stainless steel to provide an additional margin of corrosion resistance. The cover screws are captive and also have flat washers to prevent damage to the polyester coating. They have phillips slots and hex heads to facilitate installation and removal. The housing has two ½" conduit entries, one for field wiring and the other for connection to optional solenoid valves.

Visual Position Indication: The 3-D indicator is highly visible with red & yellow valve closed & open confirmation. It can be easily adjusted by loosening the retaining screws and rotating the plastic dome.

Push to Set Switch Cams: The cams are splined, spring loaded and independently adjustable without the use of tools. They are also color coded for no-guess adjustments, red – close and green – open.

Terminations: The terminal strip has "tunnel" wire entries to reduce the possibility of stray wires from shorting against one another. The strip is angled upward for easier field wiring. Extra terminals are provided for solenoid valve terminations.

Specifications

Housing: Die cast aluminum, polyester powder coated
Hardware: Stainless steel
Shaft: stainless steel, Namur dimensions
Wire Entries: Two ½" threaded female conduit Switches:

Visual indicator: Polycarbonate
Terminal strip: 8-points
Temperature: -30F to 185F (-20C o 85C)
Two mechanical SPDT

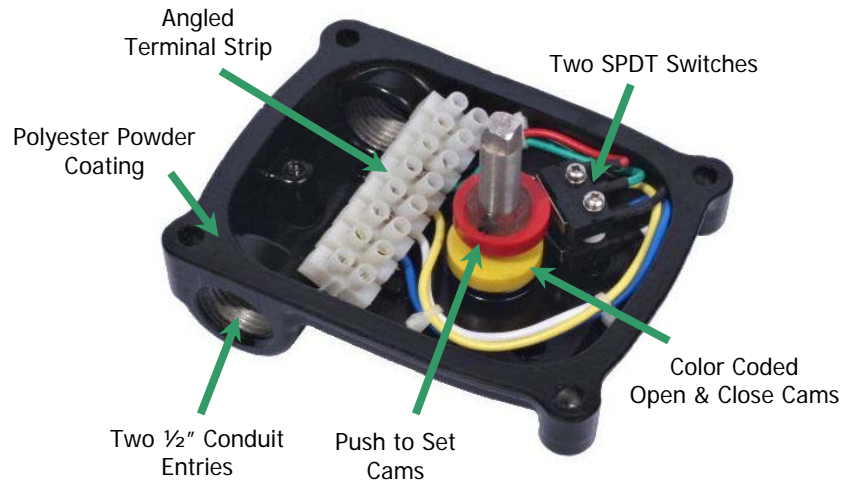
Flow Line Controls, Inc.

P.O. Box 677 · Schriever, LA 70395 · Phone: 985-414-6003 · Toll Free 1-800-815-9226 · Fax 985-414-6072

www.flowlinecontrols.com



Series 53 Limit Switch Compact & Economical



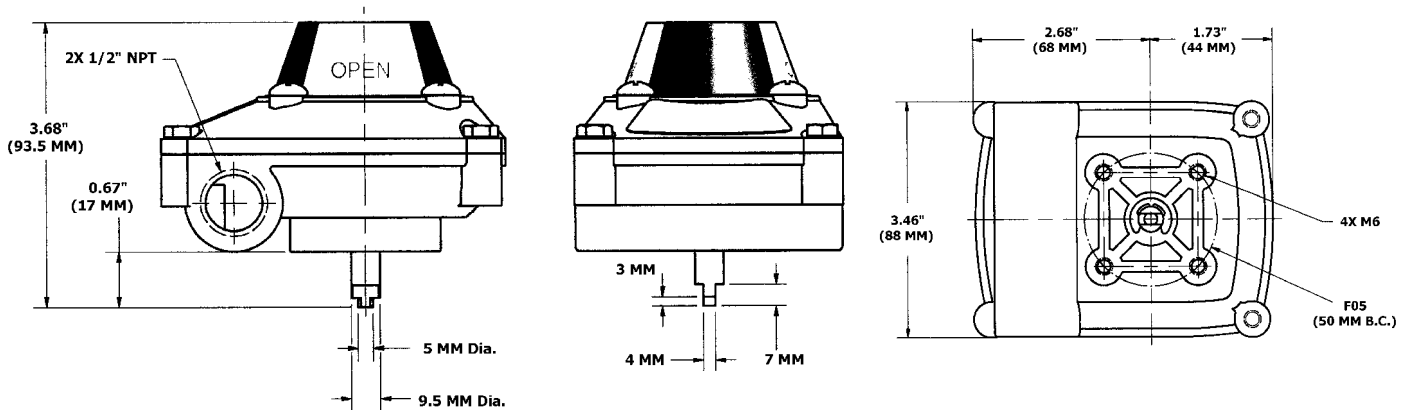
How to Order

SWITCH PART #	SERIES	ENCLOSURE	SHAFT	INDICATOR COLORS	SWITCHES	QUANTIT Y	CONDUIT	INDICATOR
53-1000-12DA22F	53	Polyester coated aluminum	Namur	Red & Yellow, 90 Degree	Mechanical SPDT	Two	Two 1/2" NPT	3-D
53-1000-12DB22F		Nema 4, 4X, IP67			Gold plated SPDT			

SWITCH NOTES Mechanical switches: 5A 125-220VAC Gold Plated switches: 0.1A 125VAC (ideal for Intrinsic Safe applications)

MOUNTING BRACKET PART #	DESCRIPTION	ACTUATOR NAMUR MOUNT	ACTUATOR SHAFT HEIGHT
53-1000-208020P	Namur bracket "Hat Shaped"	30MM X 80MM	20MM
53-1000-208030P	Polyester coated steel		30MM

Dimensions



Flow Line Controls, Inc.

P.O. Box 677 · Schriever, LA 70395 · Phone: 985-414-6003 · Toll Free 1-800-815-9226 · Fax 985-414-6072

www.flowlinecontrols.com

Doc. No. FLC5301 Copyright 2008 Flow Line