



Series 54 Limit Switch Explosion Proof

Introduction

Flow Line Controls Series 54 hazardous location limit switch has a heavy duty enclosure and provides valve Open & Close indication with a highly visible 3-D indicator and electrical feedback switches. The Series 54 limit switch features Namur mount, two ½" conduit entries, adjustable 3-D visual indicators and independently adjustable open and close switches. Options include proximity switches, 4-20 mA and 0-10K ohm potentiometer feedbacks and AS-interface bus technology.



Features

Aluminum Housing: The Series 54 is UL and cULus listed Nema 4, 4x, 7 & 9. The rugged cast aluminum housing is polyester coated for corrosion resistance. The cover and visual indicator screws and shaft are stainless steel to provide an additional margin of corrosion resistance. Housings include captive cover screws to permit calibration without potential for losing screws. The housing has two ½" conduit entries with option for a third ½" or ¾" conduit entry for field wiring and connections to optional solenoid valves.

Visual Position Indication: The 3-D indicator is highly visible with red & yellow valve closed & open confirmation. It can be easily adjusted by loosening the retaining screws and rotating the plastic dome.

Push to Set Switch Cams: The cams are splined, spring loaded and independently adjustable without the use of tools.

Switches: Full line of switches including mechanical SPDT, DPDT, proximity switches, 4-20 mA and potentiometer feedbacks and AS-interface bus.

Terminations: The terminal strip has two spare terminations to accommodate an optional solenoid valve.

Specifications

Housing: Die cast aluminum, polyester powder coated
Hardware: Stainless steel
Shaft: stainless steel, Namur dimensions
Wire Entries: Two ½" NPT standard, optional 3rd entry

Visual indicator: Polycarbonate
Terminal strip: 10-points
Temperature: -30F to 185F (-20C to 85C)
Switches: Refer to How to Order guide

Flow Line Controls, Inc.

P.O. Box 677 · Schriever, LA 70395 · Phone: 985-414-6003 · Toll Free 1-800-815-9226 · Fax 985-414-6072

www.flowlinecontrols.com



Series 54 Limit Switch Explosion Proof

How to Order

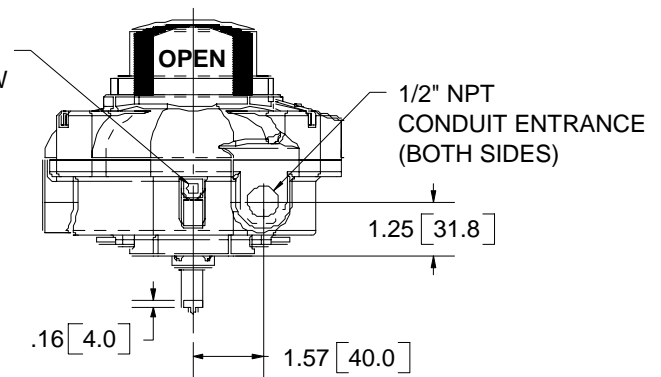
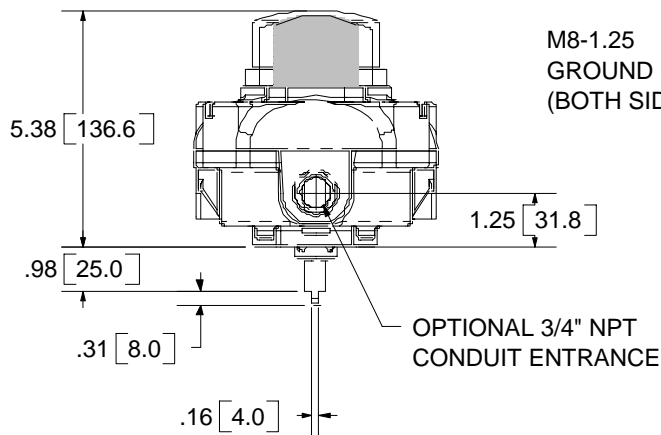
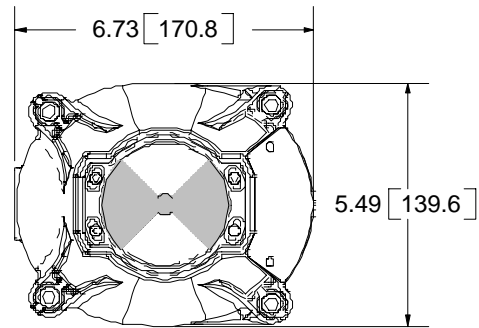
| PART NUMBER | SERIES | ENCLOSURE | SHAFT | INDICATOR COLORS | SWITCHES | QUANTITY | CONDUIT | INDICATOR |
|------------------|--------|---|-------|-------------------------|----------------------------------|----------|--------------|-----------|
| 54-XAB-0120-0E00 | 54 | Polyester coated aluminum Nema 4, 4X, 7, 9 | Namur | Red & Yellow, 90 Degree | Mechanical SPDT | Two | Two 1/2" NPT | 3-D |
| 54-XAB-0520-0E00 | | | | | Mechanical DPDT | | | |
| 54-XAB-1420-0E00 | | | | | Reed Prox SPDT | | | |
| 54-XAB-0320-0E00 | | | | | Mechanical SPDT Gold Plated | | | |
| 54-XAB-AS21-0E00 | | | | | AS-interface bus | | | |
| 54-XAB-TA20-0E00 | | | | | 4-20mA feedback, 2-SPDT switches | | | |

| Stainless Steel Mounting Bracket Kits (includes hardware) | |
|---|---|
| 54-3000-308020 | Namur 30mm X 80 mm mounting pattern, 20mm shaft height |
| 54-3000-3013030 | Namur 30mm X 130 mm mounting pattern, 30mm shaft height |
| 54-3000-308030 | Namur 30mm X 80 mm mounting pattern, 30mm shaft height |
| 54-3000-3013050 | Namur 30mm X 130 mm mounting pattern, 50mm shaft height |

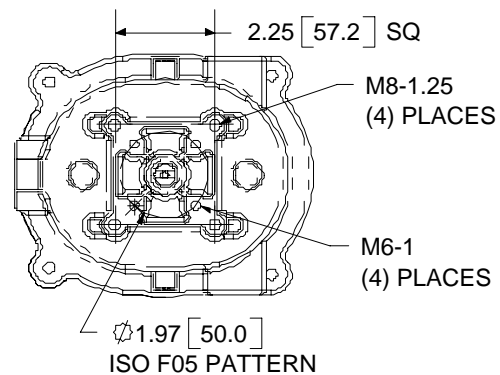
Data Sheet: Refer to Data Sheet for switch specifications and additional switch options.
3-Position switch indication and control available, consult factory.

Switch Approvals:

Class I Division 1 Groups C, D
Class I Division 2 Groups A, B, C, D
Class II Division 1 Groups E, F, G
Class II Division 2 Groups F, G



Dimensions



Flow Line Controls, Inc.

P.O. Box 677 · Schriever, LA 70395 · Phone: 985-414-6003 · Toll Free 1-800-815-9226 · Fax 985-414-6072

www.flowlinecontrols.com

Doc. No. FLC5401 Copyright 2008 Flow Line