

INSTALLATION

1. Attach proper mounting bracket to the switchbox housing.
2. Engage switch box shaft to top of actuator shaft.
3. Attach bracket to actuator (finger tight only).
4. Cycle the actuator; switchbox and actuator will self-align.
5. Tighten bracket to actuator.

ADJUSTING THE SWITCHES

FIGURE 1 CLOCKWISE (VALVE CLOSED)

1. Disconnect power prior to opening lid.
2. Loosen switchbox cover screws and remove cover.
3. Rotate actuator to full clockwise position.
4. Push down top cam and turn it clockwise until switch is activated. Release the cam and it will engage on the splined retainer. The spring will maintain cam engagement.

FIGURE 2 COUNTER-CLOCKWISE (VALVE OPEN)

1. Rotate actuator to full counter-clockwise position.
2. Pull up bottom cam and turn it counter-clockwise until switch is activated. Release the cam and it will engage on the splined retainer. The spring will maintain cam engagement.
3. Cycle actuator several times to verify adjustment.
4. Place the cover on switch box and tighten in cross pattern. *NOTE: ensure that the cover's o-ring seal is seated in the o-ring groove.*

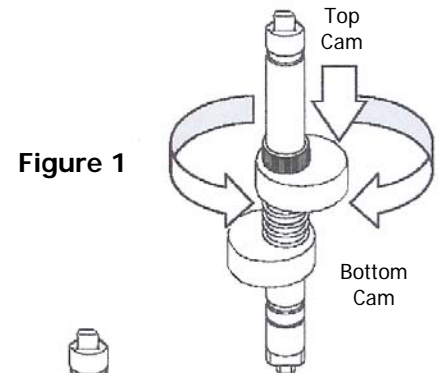


Figure 1

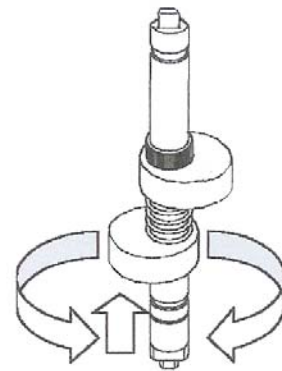


Figure 2

ELECTRICAL WIRING

1. Remove switch box cover.
2. Remove protection plug(s) from conduit entries and install conduit or other approved connection means.
3. Engage wires in terminal strip using a small screwdriver ($\frac{1}{8}$ " blade). *NOTE: terminals 1, 2, 3, 4, 5 & 3 are for the top switch and terminals 7, 8, 9, 10, 11 & 12 are for the bottom switch. Wiring diagram is on the inside of the switchbox cover.*

***WARNING:** To maintain IP67 weather protection any unused conduit entry must be closed with appropriate conduit plug. Conduit plugs supplied with the switch box are for transit purposes only.*

3-D VISUAL INDICATOR SETTING

1. Rotate actuator to closed.
2. Loosen the four screws securing the plastic indicator dome and rotate it to show 'CLOSED'. *NOTE: the dome and rotor can be removed and rotated $\frac{1}{4}$ turn for OPEN-CLOSE visual indication from the end of the switchbox.*

SPDT MECHANICAL SWITCH SPECIFICATIONS

Type: Dry contact snap action roller lever arm
 Contacts: Form-CC
 125-250 VAC, 15 Amp
 24 VDC, 3 Amp
 Approvals: UL and CSA Recognized Component

Flow Line Controls, Inc.

P.O. Box 677 · Schriever, LA 70395 · Phone: 985-414-6003 · Toll Free 1-800-815-9226 · Fax 985-414-6072

www.flowlinecontrols.com