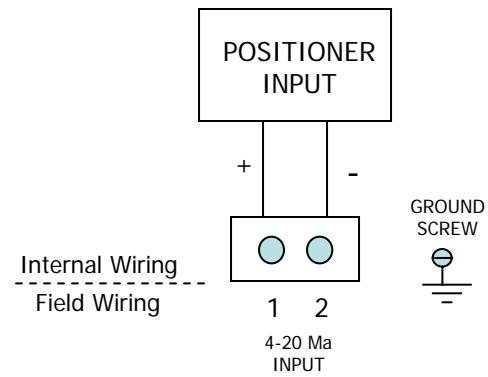
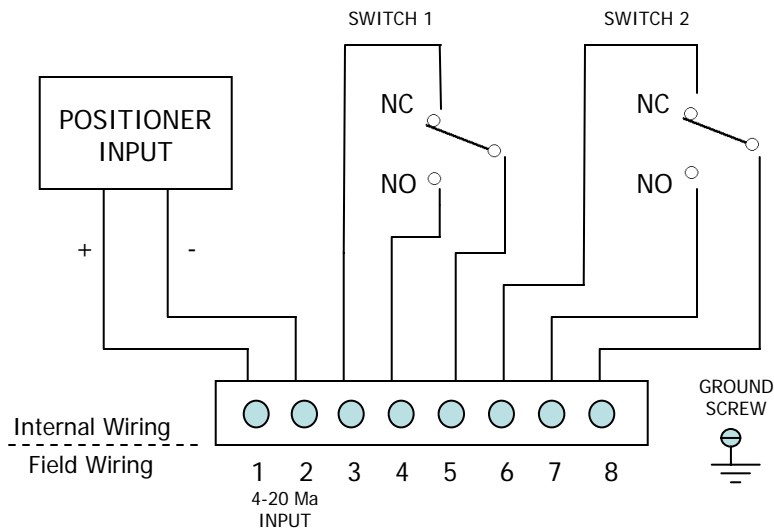
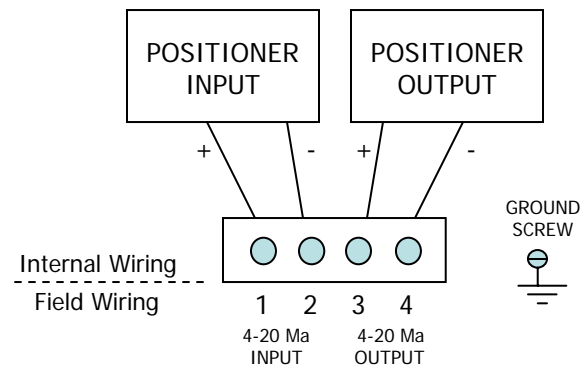


**4-20 mA INPUT
without feedback options**



**4-20 mA INPUT
with 4-20 mA feedback**



**4-20 mA INPUT
with two SPDT switches**



**WIRING DIAGRAMS
4-20 mA Electro-Pneumatic Positioner
Series 56**